

UG405DMAUS

ECOLINE UNDERBENCH GLASSWASHER - 15 AMP

400x400 mm basket, with adapter for 17"x14" basket (included)



GUARANTEED WASH PERFORMANCE

In commercial dishwashers, the rinse is the most important part of the wash cycle, as it is the only one performed with clean water. This is the reason why, at Smeg, we believe all commercial dishwashers must have **a rinse pump on board**, the only way to guarantee that optimal and constant pressure and temperature are maintained throughout the rinse cycle.

WE BELIEVE IN OUR QUALITY

All dishwashers are manufactured in our state of the art factory in Italy, where we monitor all phases of design, engineering and production.

PRODUCT FEATURES

- Construction in AISI 304 stainless steel
- Moulded rack guides
- **Adaptor for multiple baskets, 17" x 14" (included)**
- **HTR (High Temperature Rinse) system with atmospheric boiler and rinse pump**
- 2.3 litres water rinse cycle
- Approximately 30% water exchange every cycle
- Drain pump with triple stage dynamic filtration system
- Door opening height: 330mm
- Electronic controls with 3 wash programs
- Shortest wash program 90 seconds
- Soft start wash pump
- Automatic self-cleaning cycle
- Shut-off at the end of drain cycle
- Thermostop system to ensure correct rinse temperature
- Adjustable peristaltic pumps for detergent and rinse-aid injection
- Self-diagnostic system with error messages
- **4 x 150mm legs (included)**
- 15 Amp plug
- **24 months parts and 12 months labour warranty**

ACCESSORIES

- PB40G01 - 400x400mm flat-bottomed basket
- WB40D01 - 400x400mm basket. 8 plate Ø315mm
- WB40G01 - 400x400mm flat-bottomed basket
- WB40G02 - 400x400mm basket. Ø90mm max stem-glass



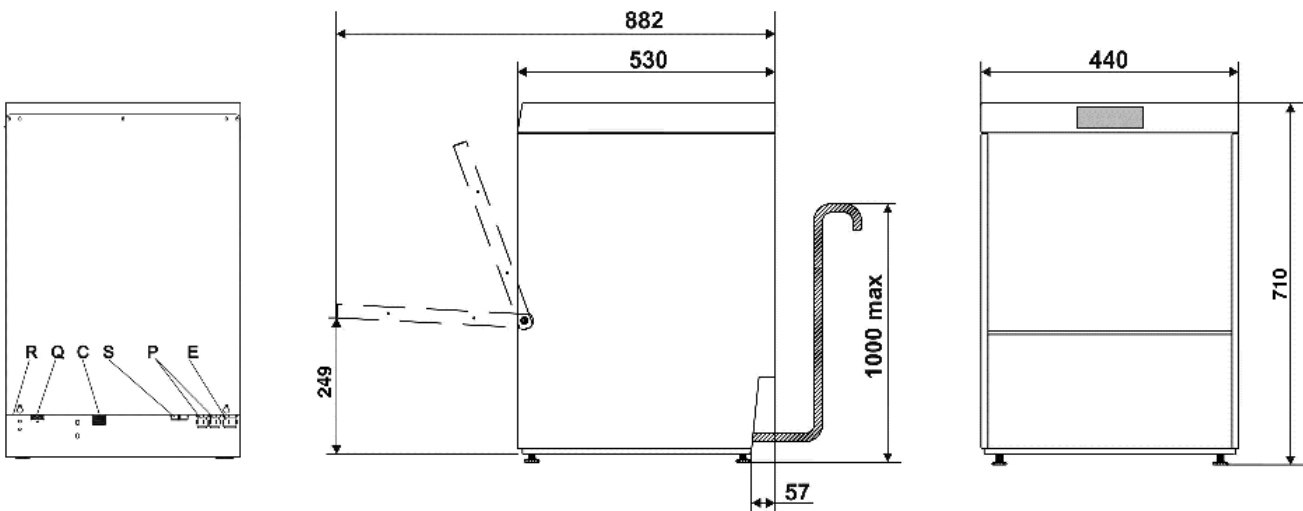
UG405DMAUS

ECOLINE UNDERBENCH GLASSWASHER - 1.5 AMP

400x400 mm basket, with adapter for 17"x14" basket (included)

TECHNICAL SPECIFICATIONS

Dimensions (mm) (WxDxH)	440x530x710	Minimum supply pressure (bar)	2.5
Min height when on legs (mm)	840mmH	Drain pump	Yes
Basket (mm)	400x400	Rinse aid pump	Peristaltic
Door clearance (mm)	330	Detergent pump	Peristaltic
Type of interface	electronic	Programme 1 (sec)	90*
Door/hood structure	double skinned insulated	Programme 2 (sec)	150*
Supplied water temperature (°C)	from cold to 60°	Programme 3 (sec)	240*
Tank volume (litres)	8	Special programmes	Total renewal of the water inside the tank Extra rinse Self-cleaning
Tank heating element (W)	2,000	Thermostop	Yes
Filtering system	Tank filter + selective filter	Total power (W)	3,000
Boiler volume (litres)	4	Electrical connection	Single Phase 1.5A 230V 3~/13A/3,0kW/50Hz
Boiler heating element (W)	2,700	Basket number	
Wash pump (W)	290	dishes	-
Tank temperature (°C)	60°	universal / glasses	2 x PB40G01
Rinse pump	Yes	cutlery	1 x PHOOS01
Rinse temperature (°C)	85°		
Adjustable temperatures	Yes		
Net weight	38kg		



CONNECTION WIRING DIAGRAM KEY

R	Rear lower panel	P	Peristaltic doser tubes
C	Water supply tubing	E	Electrical power cable
S	Water drain tubing	F	External doser power supply cable input
Q	Equipotential terminal		

Note: Min. height on legs - 840mm

* Supplied water temperature >50°C and <60°C and three-phase electrical connection whenever possible.

* Indicative wash times



UNI EN ISO 9001
9130-Smeg

UNI EN ISO 14001
9191-SME2

DHSAS 18001
9192-SME3